

SPARE PARTS SECTION

INDUSTRIAL PEDESTAL DRILL

Model. PD-28

240V Order Code D160

EDITION No : PD-28 -1

DATE OF ISSUE : 11/2023

The following section covers the spare parts diagrams and lists that were current at the time this manual was originally printed. Due to continuous improvements of the machine, changes may be made at any time without notification.

HOW TO ORDER SPARE PARTS

1. Have your machines model number, serial number & date of manufacture on hand, these can be found on the specification plate mounted on the machine
2. A scanned copy of your parts list/diagram with required spare part/s identified.

NOTE: SOME PARTS MAY ONLY BE AVAILABLE AS AN ASSEMBLY

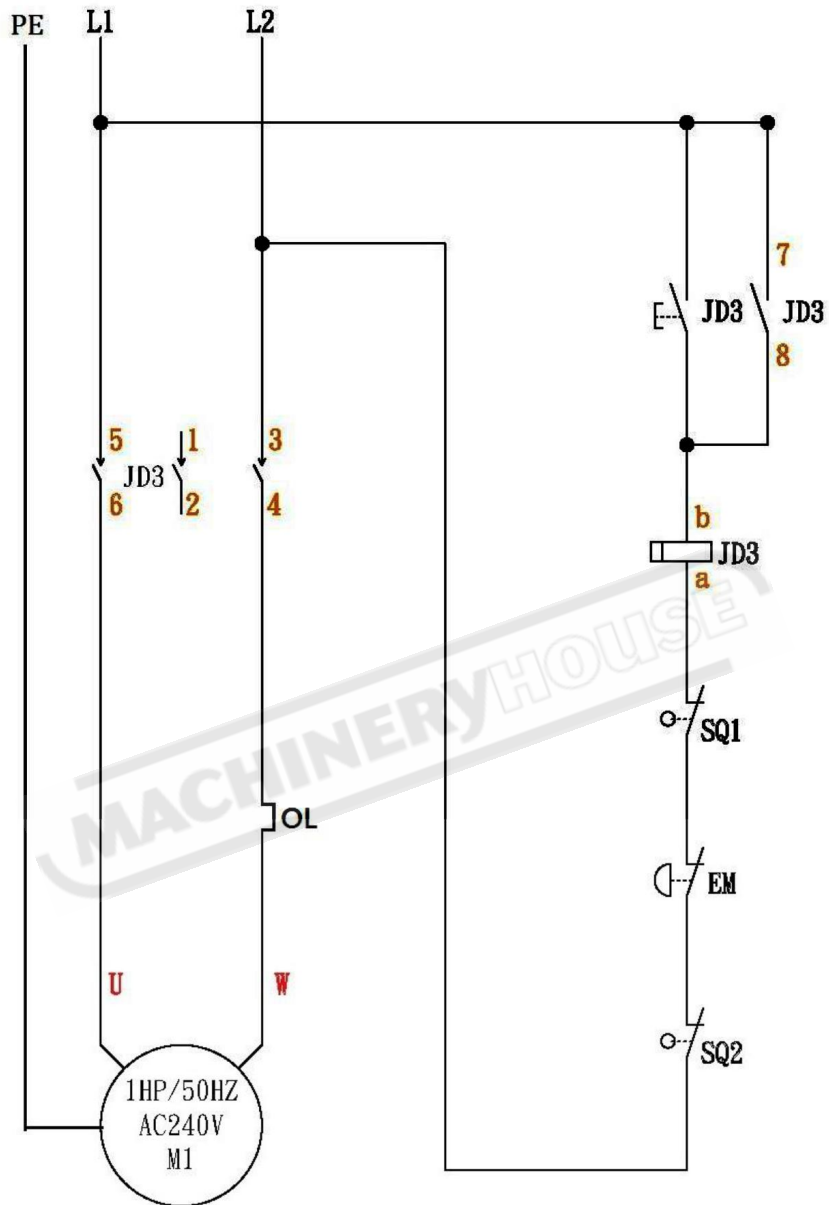
3. Go to www.machineryhouse.com.au/contactus and fill out the inquiry form attaching a copy of scanned parts list.



WARNING

The machine is the sole responsibility of the owner for its safe use. This responsibility includes but is not limited to proper installation in a safe environment, personnel training, proper inspection and maintenance, manual availability and comprehension. The manufacturer will not be held liable for injury or property damage from negligence, improper training, machine modifications or misuse.

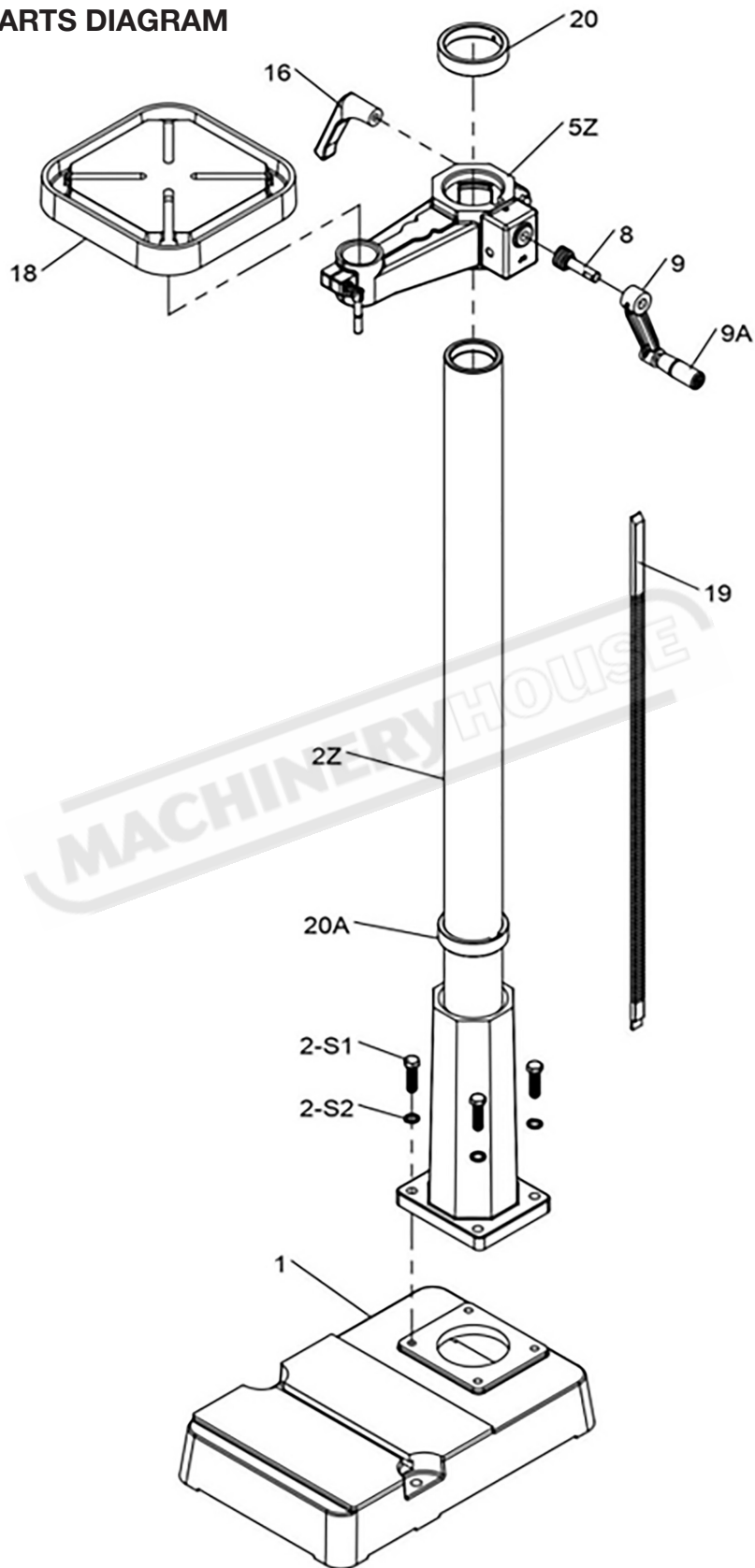
PD-28 ELECTRICAL DIAGRAM



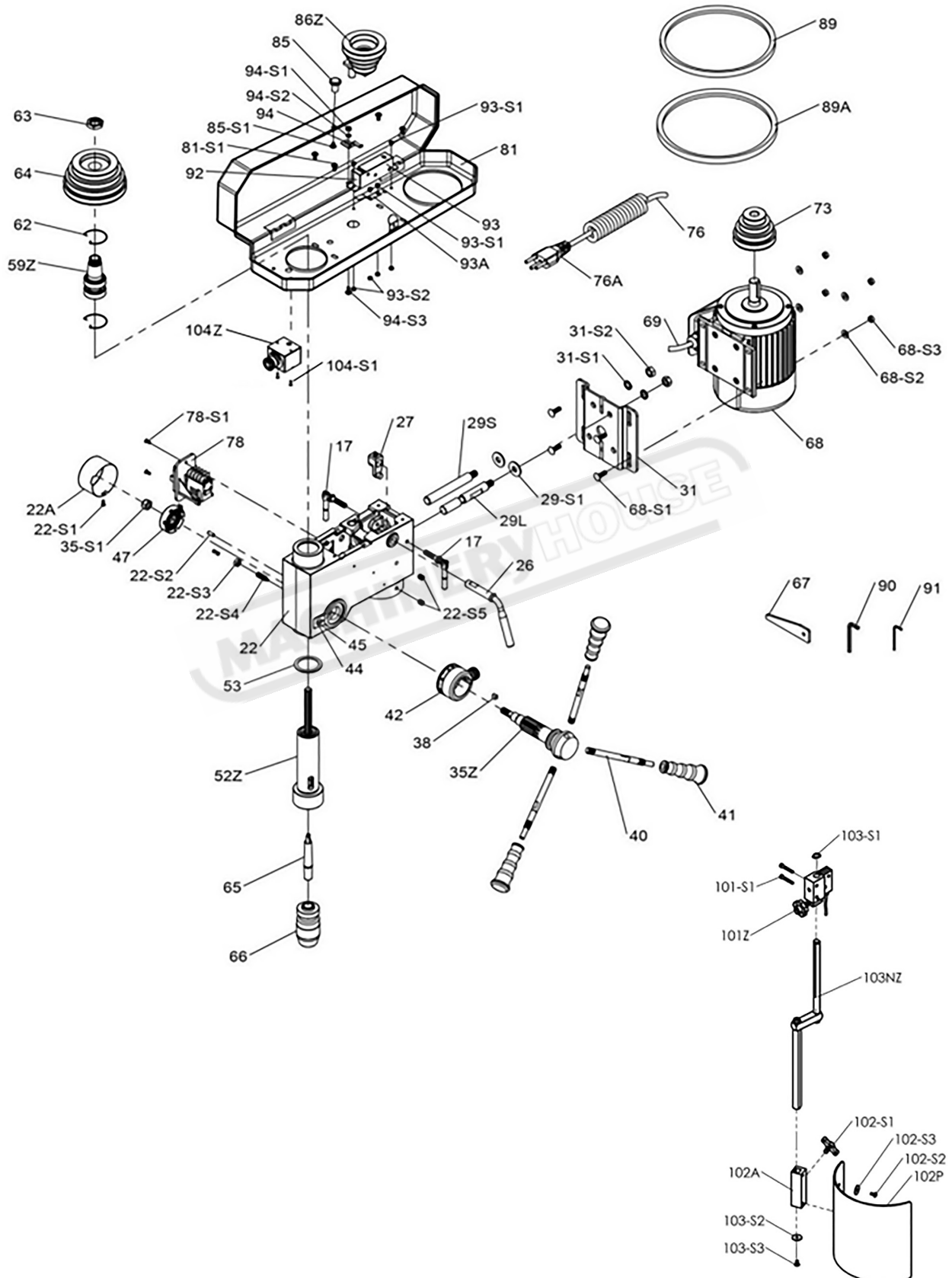
PD-28 ELECTRICAL PARTS LIST

| Part No. | Component/Object | Type/Model | Ratings/Technical Data | Pcs |
|----------|--------------------------|-------------|------------------------|-----|
| M1 | Motor | PD-28 | 1HP/240V 50Hz/1PH | 1 |
| JD3 | Contact Relay | JD3 | AC 230V 16A | 1 |
| SQ1 | Limit Switch | VM5-00N | 5A/250S | 1 |
| SQ2 | Chuck Guard Micro Switch | VM5-00N | 5A/250S | 1 |
| EM | Emergency Stop | ALEPB25-1/C | INCAC 250V, 3A | 1 |
| OL | Overload Relay | 88 Series | AC250V,10A | 1 |

PD-28 SPARE PARTS DIAGRAM



PD-28 PARTS DIAGRAM



PD-35/PD-35B SPARE PARTS LIST

| | | | |
|-------|-------------------------|-------|----------------------|
| 1 | Base | 47 | Spring Cap |
| 2Z | Column Set | 52Z | Quill Set |
| 2-S1 | Bolt | 53 | Rubber Washer |
| 2-S2 | Spring Washer | 59Z | Spindle Sleeve Set |
| 5Z | Table Bracket Set | 62 | Snap Ring |
| 8 | Worm Gear | 63 | Pulley Nut |
| 9 | Table Handle | 64 | Spindle Pulley |
| 9A | Handle Bolt | 65 | Taper Arbor (Option) |
| 15 | Indicator | 66 | Drill Chuck (Option) |
| 16 | Clamp Handle | 67 | Drill Shifter |
| 17 | Lead Bolt | 68 | Motor |
| 18 | Table | 68-S1 | Bolt |
| 19 | Rack | 68-S2 | Washer |
| 20 | Rack Ring | 68-S3 | Hex Nut |
| 20A | Rack Ring | 69 | Motor Wire |
| 22 | Head Body | 73 | Motor Pulley |
| 22A | Spring Protection Cover | 76 | Wire |
| 22-S1 | Screw | 76A | Wire Plug |
| 22-S2 | Pin | 78 | NVR Switch(PD-28/35) |
| 22-S3 | Hex Nut | 78 | Cam Switch(PD-35B) |
| 22-S4 | Screw | 78-S1 | Screw |
| 22-S5 | Screw | 78-S2 | Washer |
| 22-S6 | Lead Bolt | 79 | Switch Cover |
| 26 | Shifter Bar | 79-S1 | Screw |
| 27 | Shifter | 81 | Pulley Cover |
| 29L | Slide Bar (L) | 81-S1 | Screw |
| 29S | Slide Bar (S) | 85 | Pulley Cover Knob |
| 29-S1 | Washer | 85-S1 | Screw |
| 31 | Motor Base | 86Z | Pulley Shaft Set |
| 31-S1 | Spring Washer | 89 | V-BELT |
| 31-S2 | Hex Nut | 89A | V-BELT |
| 35Z | Feed Shaft Set | 90 | Hex Wrench |
| 35-S1 | Hex Nut | 90-1 | Hex Wrench |
| 38 | Key | 91 | Hex Wrench |
| 40 | Feed Handle | 91-1 | Hex Wrench |
| 41 | Grip | 92 | Micro Switch |
| 42 | Scale Ring | 93 | Micro Switch Box |
| 44 | Indicator | 93A | Spring Sheet |
| 45 | Rivet | 93-S1 | Screw |

PD-28 SPARE PARTS LIST Cont.

| | |
|--------|--------------------------|
| 93-S2 | Hex Nut |
| 94 | Clutch |
| 94-S1 | Hex Nut |
| 94-S2 | Spring Washer |
| 94-S3 | Screw |
| 101D | Micro Switch Base |
| 101Z | Micro Switch Bracket Set |
| 101-S1 | Screw |
| 101-S2 | Screw |
| 102P | Safety Guard |
| 102S | Safety Guard |
| 102SZ | Safety Guard Set |
| 102A | Safety Guard Slide |
| 102-S1 | Lead Bolt |
| 102-S2 | Screw |
| 102-S3 | Washer |
| 103IZ | Bracket Rod Set |
| 103NZ | Bracket Rod Set |
| 103-S1 | C-Ring |
| 103-S2 | Washer |

| | |
|--------|---------------------------|
| 103-S3 | Screw |
| 104Z | Emergency Stop Switch Set |
| 104-S1 | Screw |
| 108D | Magnetic Switch |
| 108-S1 | Screw |

NOTE: SOME INDIVIDUAL PARTS MAY ONLY BE AVAILABLE AS AN ASSEMBLY



WARNING

*Disconnect all power from the machine before servicing.
There may be multiple power sources present.
Remove the plug from the power point or remove the fuse if hardwired. Failure to do may cause death or injury.*